



SOFT SEAT NEEDLE VALVES

CST Needle Valves have established a proven track record for quality, reliability and price performance. Manufactured and tested to very exacting standards at the ISO certified manufacturing facility, these valves are today in use in various industries worldwide.

TECHNICAL DATA

SIZES:	1/8" to 1"
BODY:	Forged single piece CS ASTM A105 Plated or ASTM A182 F 316SS Angled or Straight Pattern
END CONNECTIONS	Screwed NPT
STEM:	Close tolerance surface finish, cold rolled threads, ASME SA-479 Type 316SS
NEEDLE TIP:	Hardened & Ground, Self Centering, Non-rotating
GLAND PACKING:	Adjustable, below stem thread design (PBT), prevent process fluid contact with stem threads. PTFE for Temp below 400°F / Graphite for Temp above 400°F
SEAT	Delrin® Soft Seat
HANDLE:	T ¹ bar handle, CS ASTM A108 Plated or ASME SA-479 Type 316SS
WASHER:	ASME SA-479 Type 316SS
PRESSURE/TEMP RATING:	200°F / Pressure 6000 PSI 500°F / Pressure 4000 PSI
TEST PRESSURES:	Body: Hydrostatic at 6000 PSI Seat & Gland: 1000 PSI with Nitrogen
OPTIONS:	Material of construction conforming to NACE MR-01-75 Other Materials available on request Compression Ends up to 1/2" size Screwed Ends with BSP / BSPT / ISO / Special Threads
DESIGN STANDARD:	CRN APPROVAL

Contact Us: **Canada Sensors Technology Inc.**
10 – 328 Wale Road
Victoria, BC V9B 0J6
Canada
250-588-8085
sales@canadasensors.com
www.canadasensors.com
**Manufacturer of Advanced Technology
Level and Pressure Transmitters**

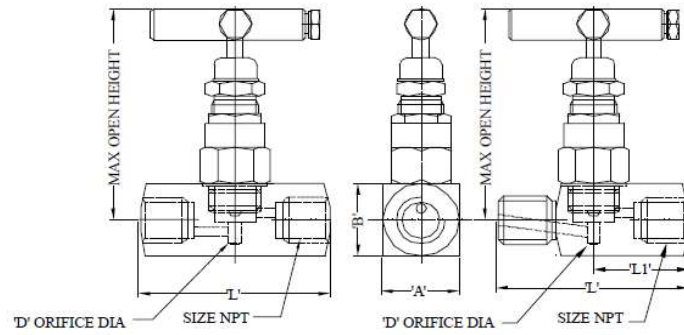
Drawing References: DWG_SS_NV_001

MISSION STATEMENT

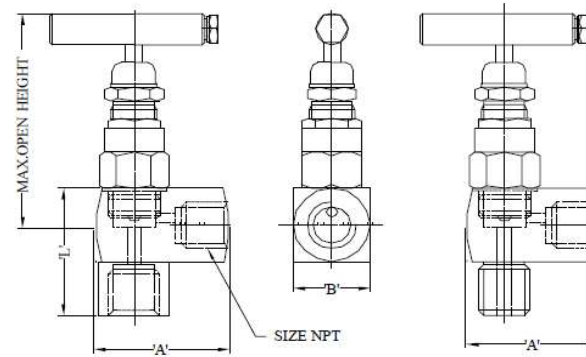
Canada Sensors Technology Inc. strives to build a mutually positive and beneficial relationship with our customers, ensuring their long-term success, through the understanding of their needs and the needs of their customers.

We will listen to our customers and constantly improve our technologies as our customers' needs change with time.

Canada Sensors Technology Inc. is committed to providing the highest level of product quality and customer service. Canada Sensors Technology Inc. is ISO 9001:2015 certified.



STRAIGHT PATTERN



ANGLED PATTERN

This drawing is the property of Canada Sensors Technology Inc.
Unauthorized reproduction is prohibited.

ALL DIMENSIONS ARE SUBJECT TO CHANGE WITHOUT ANY PRIOR NOTICE, TO BE USED FOR REFERENCE ONLY

DRAWN		CANADA SENSORS TECHNOLOGY INC.		
KH	06/04/2019	TITLE		
CHECKED		SOFT SEAT NEEDLE VALVES		
QA				
MFG				
APPROVED		SIZE:	DWG NO.:	REV.
			DWG_SS_NV_001	0
		SCALE:	SHEET 1 OF 2	

	CST PART NO.	SIZE	PATTERN	ENDS	MATL	A	B	C	L	L1	D	Cv
Standard Soft Seat Needle Valves	CST 5312	1/4"	G	FxF	SS316-ASTM A479	28.5	28.5	86.0	60.0		4.2	0.6
Standard Soft Seat Needle Valves	CST 5314	1/2"	G	FxF	SS316-ASTM A479	38.0	38.0	92.0	68.0		7.0	0.7
Standard Soft Seat Needle Valves	CST 5316	3/4"	G	FxF	SS316-ASTM A479	40.0	40.0	92.0	68.0		9.0	2.4
Standard Soft Seat Needle Valves	CST 5318	1"	G	FxF	SS316-ASTM A479	45.0	45.0	92.0	80.0		12.0	2.0
Standard Soft Seat Needle Valves	CST 5332	1/4"	G	MxF	SS316-ASTM A479	28.5	28.5	86.0	76.0	30.0	4.2	0.8
Standard Soft Seat Needle Valves	CST 5334	1/2"	G	MxF	SS316-ASTM A479	38.0	38.0	92.0	89.0	32.0	7.0	0.9
Standard Soft Seat Needle Valves	CST 5336	3/4"	G	MxF	SS316-ASTM A479	40.0	40.0	92.0	89.0		7.0	2.0
Standard Soft Seat Needle Valves	CST 5372	1/4"	A	MxF	SS316-ASTM A479	42.0	42.0	86.0	42.0		4.2	0.7
Standard Soft Seat Needle Valves	CST 5374	1/2"	A	MxF	SS316-ASTM A479	50.0	50.0	92.0	50.0		7.0	0.7
Standard Soft Seat Needle Valves	CST 5512	1/4"	G	FxF	CS-ASTM A105	28.5	28.5	86.0	60.0		4.2	0.6
Standard Soft Seat Needle Valves	CST 5514	1/2"	G	FxF	CS-ASTM A105	38.0	38.0	92.0	68.0		7.0	0.7
Standard Soft Seat Needle Valves	CST 5516	3/4"	G	FxF	CS-ASTM A105	40.0	40.0	92.0	68.0		9.0	2.0
Standard Soft Seat Needle Valves	CST 5518	1"	G	FxF	CS-ASTM A105	45.0	45.0	92.0	80.0		12.0	2.0
Standard Soft Seat Needle Valves	CST 5532	1/4"	G	MxF	CS-ASTM A105	28.5	28.5	86.0	76.0	30.0	4.2	0.8
Standard Soft Seat Needle Valves	CST 5534	1/2"	G	MxF	CS-ASTM A105	38.0	38.0	92.0	89.0	32.0	7.0	0.9
Standard Soft Seat Needle Valves	CST 5536	3/4"	G	MxF	CS-ASTM A105	40.0	40.0	92.0	89.0		9.0	2.0
Standard Soft Seat Needle Valves	CST 5572	1/4"	A	MxF	CS-ASTM A105	42.0	42.0	86.0	42.0		4.2	0.7
Standard Soft Seat Needle Valves	CST 5574	1/2"	A	MxF	CS-ASTM A105	50.0	50.0	92.0	50.0		7.0	0.7

DRAWN		CANADA SENSORS TECHNOLOGY INC.			
KH	06/04/2019				
CHECKED		TITLE			
QA		SOFT SEAT NEEDLE VALVES			
MFG					
APPROVED		SIZE:		DWG NO.:	REV.
				DWG_SS_NV_001	0
		SCALE:		SHEET 2 OF 2	