



PACKAGER SERIES HARD SEAT NEEDLE VALVES

CST Needle Valves have established a proven track record for quality, reliability and price performance. Manufactured and tested to very exacting standards at the ISO certified manufacturing facility, these valves are today in use in various industries worldwide.

TECHNICAL DATA

SIZES:	14", 1/2" and 3/4" x 1/2"
BODY:	Forged single piece CS ASTM A105 Plated or ASTM A182 F 316SS Brass Straight Pattern
END CONNECTIONS	Screwed
STEM:	Close tolerance surface finish, cold rolled threads, ASME SA-479 Type 316SS
NEEDLE TIP:	Hardened & Ground
GLAND BODY:	SS Locking Pin provided, CS ASTM A108 plated or ASME SA-479 Type 316SS
GLAND PACKING:	PTFE
HANDLE:	T' bar handle, CS ASTM A108 Plated or ASME SA-479 Type 316SS
WASHER:	ASME SA-479 Type 316SS
PRESSURE/TEMP RATING:	200°F / Pressure 6000 PSI 500°F / Pressure 4000 PSI
TEST PRESSURES:	Body: Hydrostatic at 6000 PSI Seat: 1000 PSI with Nitrogen
DESIGN STANDARD:	CRN APPROVAL

Contact Us: **Canada Sensors Technology Inc.**
10 – 328 Wale Road
Victoria, BC V9B 0J6
Canada
250-588-8085
sales@canadasensors.com
www.canadasensors.com
**Manufacturer of Advanced Technology
Level and Pressure Transmitters**

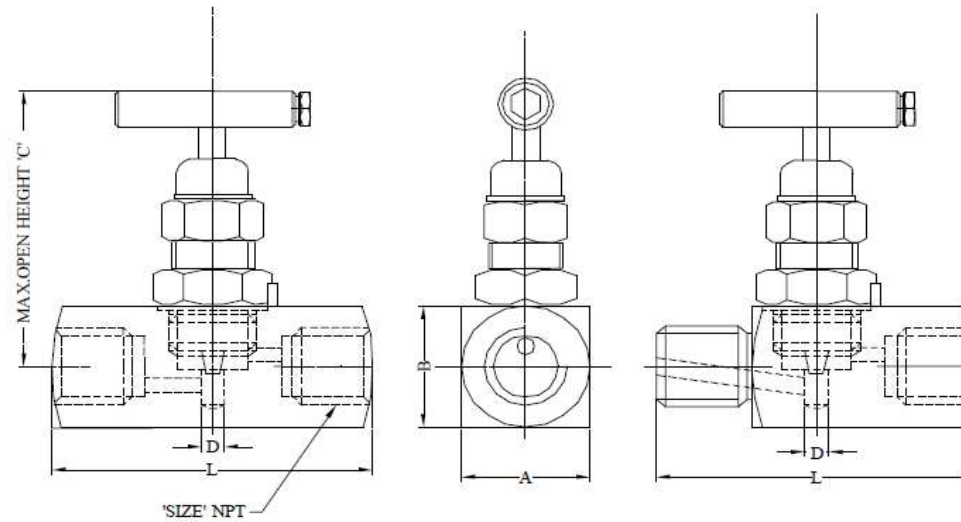
Drawing References: DWG_PSHS_NV_001

MISSION STATEMENT

Canada Sensors Technology Inc. strives to build a mutually positive and beneficial relationship with our customers, ensuring their long-term success, through the understanding of their needs and the needs of their customers.

We will listen to our customers and constantly improve our technologies as our customers' needs change with time.

Canada Sensors Technology Inc. is committed to providing the highest level of product quality and customer service. Canada Sensors Technology Inc. is ISO 9001:2015 certified.



	CST PART NO.	SIZE	PATTERN	ENDS	MATL	A	B	C	L	D
Packager Style Needle Valves - 6,000 PSI Rated	CST 1412P	1/4"	G	FxF	SS316-ASTM A479	22.0	22.0	62.0	53.85	3.3
Packager Style Needle Valves - 6,000 PSI Rated	CST 1413P	3/8"	G	FxF	SS316-ASTM A479	28.5	28.5	85.0	68.00	3.3
Packager Style Needle Valves - 6,000 PSI Rated	CST 1414P	1/2"	G	FxF	SS316-ASTM A479	28.5	28.5	85.0	76.20	3.3
Packager Style Needle Valves - 6,000 PSI Rated	CST 1416P	3/4"	G	FxF	SS316-ASTM A479	35.0	35.0	89.0	68.00	6.0
Packager Style Needle Valves - 6,000 PSI Rated	CST 1418P	1"	G	FxF	SS316-ASTM A479	45.0	45.0	91.0	76.20	6.0
Packager Style Needle Valves - 6,000 PSI Rated	CST 1432P	1/4"	G	MXF	SS316-ASTM A479	22.0	22.0	62.0	54.00	3.2
Packager Style Needle Valves - 6,000 PSI Rated	CST 1433P	3/8"	G	MXF	SS316-ASTM A479	28.5	28.5	85.0	76.20	3.2
Packager Style Needle Valves - 6,000 PSI Rated	CST 1434P	1/2"	G	MXF	SS316-ASTM A479	28.5	28.5	55.0	76.20	3.2
Packager Style Needle Valves - 6,000 PSI Rated	CST 1436P	3/4"	G	MXF	SS316-ASTM A479	35.0	35.0	89.0	76.20	6.0
Packager Style Needle Valves - 6,000 PSI Rated	CST 1438P	1"	G	MXF	SS316-ASTM A479	45.0	45.0	112.0	90.00	6.0
Packager Style Needle Valves - 6,000 PSI Rated	CST 1612PN	1/4"	G	FxF	CS-ASTM A105	22.0	22.0	62.0	53.85	3.3
Packager Style Needle Valves - 6,000 PSI Rated	CST 1613PN	3/8"	G	FxF	CS-ASTM A105	28.5	28.5	85.0	68.00	3.3
Packager Style Needle Valves - 6,000 PSI Rated	CST 1614PN	1/2"	G	FxF	CS-ASTM A105	28.5	28.5	85.0	76.20	3.3
Packager Style Needle Valves - 6,000 PSI Rated	CST 1616PN	3/4"	G	FxF	CS-ASTM A105	35.0	35.0	89.0	68.00	6.0
Packager Style Needle Valves - 6,000 PSI Rated	CST 1618PN	1"	G	FxF	CS-ASTM A105	45.0	45.0	91.0	76.20	6.0
Packager Style Needle Valves - 6,000 PSI Rated	CST 1632PN	1/4"	G	MXF	CS-ASTM A105	22.0	22.0	62.0	54.00	3.2
Packager Style Needle Valves - 6,000 PSI Rated	CST 1633PN	3/8"	G	MXF	CS-ASTM A105	28.5	28.5	85.0	76.20	3.2
Packager Style Needle Valves - 6,000 PSI Rated	CST 1634PN	1/2"	G	MXF	CS-ASTM A105	28.5	28.5	55.0	76.20	3.2
Packager Style Needle Valves - 6,000 PSI Rated	CST 1636PN	3/4"	G	MXF	CS-ASTM A105	35.0	35.0	89.0	76.20	6.0
Packager Style Needle Valves - 6,000 PSI Rated	CST 1638PN	1"	G	MXF	CS-ASTM A105	45.0	45.0	112.0	90.00	6.0

This drawing is the property of Canada Sensors Technology Inc.
Unauthorized reproduction is prohibited.

ALL DIMENSIONS ARE SUBJECT TO CHANGE WITHOUT ANY PRIOR NOTICE, TO BE USED FOR REFERENCE ONLY

DRAWN		CANADA SENSORS TECHNOLOGY INC.			
KH	06/04/2019	TITLE PACKAGER SERIES HARD SEAT NEEDLE VALVES			
CHECKED					
QA					
MFG					
APPROVED		SIZE:		DWG NO.:	REV.
				DWG_PSHS_NV_001	0
		SCALE:		SHEET 1 OF 1	