



HARD SEAT NEEDLE VALVES

CST Needle Valves have established a proven track record for quality, reliability and price performance. Manufactured and tested to very exacting standards at the ISO certified manufacturing facility, these valves are today in use in various industries worldwide.

TECHNICAL DATA

SIZES:	1/8" to 1"
BODY:	Forged single piece CS ASTM A105 Plated or ASTM A182 F 316SS Angled / Straight Pattern
END CONNECTIONS	Screwed NPT
STEM:	Close tolerance surface finish, cold rolled threads, ASME SA-479 Type 316SS
NEEDLE TIP:	Hardened & Ground, Self Centering, Non-rotating
GLAND PACKING:	Adjustable, below stem thread design (PBT), prevent process fluid contact with stem threads. PTFE for Temp below 400°F / Graphite for Temp above 400°F
SEAT	Integral Metal to Metal
HANDLE:	T ¹ bar handle, CS ASTM A108 Plated or ASME SA-479 Type 316SS
WASHER:	ASME SA-479 Type 316SS
PRESSURE/TEMP RATING:	200°F / Pressure 10000 PSI 500°F / Pressure 4000 PSI
TEST PRESSURES:	Body: Hydrostatic at 10000 PSI Seat & Gland: 1000 PSI with Nitrogen
OPTIONS:	Material of construction conforming to NACE MR-01-75 Other Materials available on request Socket weld Ends Compression Ends up to 1/2" size Screwed Ends with BSP / BSPT / ISO / Special Threads
DESIGN STANDARD:	CRN APPROVAL

Contact Us:
Canada Sensors Technology Inc.
10 – 328 Wale Road
Victoria, BC V9B 0J6
Canada
250-588-8085
sales@canadasensors.com
www.canadasensors.com
Manufacturer of Advanced Technology
Level and Pressure Transmitters

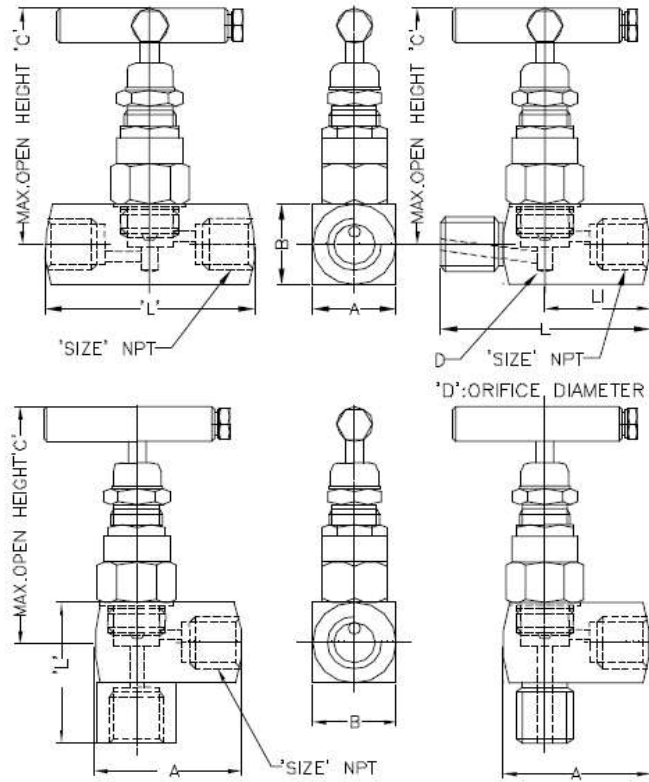
Drawing References: DWG_HS_NV_001

MISSION STATEMENT

Canada Sensors Technology Inc. strives to build a mutually positive and beneficial relationship with our customers, ensuring their long-term success, through the understanding of their needs and the needs of their customers.

We will listen to our customers and constantly improve our technologies as our customers' needs change with time.

Canada Sensors Technology Inc. is committed to providing the highest level of product quality and customer service. Canada Sensors Technology Inc. is ISO 9001:2015 certified.



STRAIGHT PATTERN

ANGLED PATTERN

This drawing is the property of Canada Sensors Technology Inc.
Unauthorized reproduction is prohibited.

ALL DIMENSIONS ARE SUBJECT TO CHANGE WITHOUT ANY PRIOR NOTICE, TO BE USED FOR REFERENCE ONLY

DRAWN		CANADA SENSORS TECHNOLOGY INC.		
KH	06/04/2019	TITLE		
CHECKED		HARD SEAT NEEDLE VALVES		
QA				
MFG				
APPROVED		SIZE:	DWG NO.:	REV.
			DWG_HS_NV_001	0
		SCALE:	SHEET 1 OF 2	

	CST PART NO.	SIZE	PATTERN	ENDS	MATL	A	B	C	L	L1	D	Cv
Standard Hard Seat Needle Valves, 10,000 PSI rated	CST 1311	1/8"	G	FxF	SS316-ASTM A479	28.5	28.5	86.0	60.0		4.2	0.4
Standard Hard Seat Needle Valves, 10,000 PSI rated	CST 1312	1/4"	G	FxF	SS316-ASTM A479	28.5	28.5	86.0	60.0		4.2	0.4
Standard Hard Seat Needle Valves, 10,000 PSI rated	CST 1313	3/8"	G	FxF	SS316-ASTM A479	32.0	32.0	88.0	68.0		6.4	0.9
Standard Hard Seat Needle Valves, 10,000 PSI rated	CST 1314	1/2"	G	FxF	SS316-ASTM A479	38.0	38.0	92.0	68.0		7.0	1.1
Standard Hard Seat Needle Valves, 10,000 PSI rated	CST 1316	3/4"	G	FxF	SS316-ASTM A479	40.0	40.0	93.0	68.0		9.0	2.3
Standard Hard Seat Needle Valves, 10,000 PSI rated	CST 1318	1"	G	FxF	SS316-ASTM A479	45.0	45.0	112.0	80.0		12.0	3.5
Standard Hard Seat Needle Valves, 10,000 PSI rated	CST 1332	1/4"	G	MxF	SS316-ASTM A479	28.5	28.6	86.0	76.0	30.0	4.2	0.4
Standard Hard Seat Needle Valves, 10,000 PSI rated	CST 1334	1/2"	G	MxF	SS316-ASTM A479	38.0	38.0	92.0	89.0	32.0	7.0	1.2
Standard Hard Seat Needle Valves, 10,000 PSI rated	CST 1336	3/4"	G	MxF	SS316-ASTM A479	40.0	40.0	93.0	89.0	32.0	9.0	2.3
Standard Hard Seat Needle Valves, 10,000 PSI rated	CST 1337	3/4" x 1/2"	G	MxF	SS316-ASTM A479	38.0	38.0	93.0	89.0	32.0	7.0	1.2
Standard Hard Seat Needle Valves, 10,000 PSI rated	CST 1338	1"	G	MxF	SS316-ASTM A479	45.0	45.0	112.0	105.0	43.0	12.0	3.5
Standard Hard Seat Needle Valves, 10,000 PSI rated	CST 1351	1/8"	A	FxF	SS316-ASTM A479	42.0	28.0	86.0	42.0		4.2	0.7
Standard Hard Seat Needle Valves, 10,000 PSI rated	CST 1352	1/4"	A	FxF	SS316-ASTM A479	42.0	28.0	86.0	42.0		4.2	0.8
Standard Hard Seat Needle Valves, 10,000 PSI rated	CST 1353	3/8"	A	FxF	SS316-ASTM A479	42.0	28.0	86.0	42.0		6.4	1.6
Standard Hard Seat Needle Valves, 10,000 PSI rated	CST 1354	1/2"	A	FxF	SS316-ASTM A479	50.0	32.0	92.0	50.0		7.0	2.2
Standard Hard Seat Needle Valves, 10,000 PSI rated	CST 1356	3/4"	A	FxF	SS316-ASTM A479	50.0	36.0	93.0	50.0		9.0	2.2
Standard Hard Seat Needle Valves, 10,000 PSI rated	CST 1358	1"	A	FxF	SS316-ASTM A479	60.0	46.0	112.0	60.0		12.0	2.2
Standard Hard Seat Needle Valves, 10,000 PSI rated	CST 1372	1/4"	A	MxF	SS316-ASTM A479	42.0	28.0	86.0	42.0		4.2	0.6
Standard Hard Seat Needle Valves, 10,000 PSI rated	CST 1374	1/2"	A	MxF	SS316-ASTM A479	50.0	32.0	86.0	50.0		7.0	1.5
Standard Hard Seat Needle Valves, 10,000 PSI rated	CST 1511	1/8"	G	FxF	CS-ASTM A105	28.5	28.5	86.0	60.0		4.2	0.4
Standard Hard Seat Needle Valves, 10,000 PSI rated	CST 1512	1/4"	G	FxF	CS-ASTM A105	28.5	28.5	86.0	60.0		4.2	0.4
Standard Hard Seat Needle Valves, 10,000 PSI rated	CST 1513	3/8"	G	FxF	CS-ASTM A105	32.0	32.0	88.0	68.0		6.4	0.9
Standard Hard Seat Needle Valves, 10,000 PSI rated	CST 1514	1/2"	G	FxF	CS-ASTM A105	38.0	38.0	92.0	68.0		7.0	1.1
Standard Hard Seat Needle Valves, 10,000 PSI rated	CST 1516	3/4"	G	FxF	CS-ASTM A105	40.0	40.0	93.0	68.0		9.0	2.3
Standard Hard Seat Needle Valves, 10,000 PSI rated	CST 1518	1"	G	FxF	CS-ASTM A105	45.0	45.0	112.0	80.0		12.0	3.5
Standard Hard Seat Needle Valves, 10,000 PSI rated	CST 1532	1/4"	G	MxF	CS-ASTM A105	28.5	28.5	86.0	76.0	30.0	4.2	0.4
Standard Hard Seat Needle Valves, 10,000 PSI rated	CST 1534	1/2"	G	MxF	CS-ASTM A105	38.0	38.0	92.0	89.0	32.0	7.0	1.2
Standard Hard Seat Needle Valves, 10,000 PSI rated	CST 1536	3/4"	G	MxF	CS-ASTM A105	40.0	40.0	92.0	89.0	32.0	9.0	2.3
Standard Hard Seat Needle Valves, 10,000 PSI rated	CST 1537	3/4" x 1/2"	G	MxF	CS-ASTM A105	40.0	40.0	93.0	89.0	32.0	7.0	1.9
Standard Hard Seat Needle Valves, 10,000 PSI rated	CST 1538	1"	G	MxF	CS-ASTM A105	45.0	45.0	112.0	105.0	43.0	12.0	3.5
Standard Hard Seat Needle Valves, 10,000 PSI rated	CST 1551	1/8"	A	FxF	CS-ASTM A105	42.0	28.0	86.0	42.0		4.2	0.7
Standard Hard Seat Needle Valves, 10,000 PSI rated	CST 1552	1/4"	A	FxF	CS-ASTM A105	42.0	28.0	86.0	42.0		4.2	0.8
Standard Hard Seat Needle Valves, 10,000 PSI rated	CST 1553	3/8"	A	FxF	CS-ASTM A105	42.0	28.0	86.0	42.0		6.4	1.6
Standard Hard Seat Needle Valves, 10,000 PSI rated	CST 1554	1/2"	A	FxF	CS-ASTM A105	50.0	32.0	92.0	50.0		7.0	2.2
Standard Hard Seat Needle Valves, 10,000 PSI rated	CST 1556	3/4"	A	FxF	CS-ASTM A105	50.0	36.0	92.0	50.0		9.0	2.2
Standard Hard Seat Needle Valves, 10,000 PSI rated	CST 1558	1"	A	FxF	CS-ASTM A105	60.0	46.0	112.0	60.0		12.0	2.2
Standard Hard Seat Needle Valves, 10,000 PSI rated	CST 1572	1/4"	A	MxF	CS-ASTM A105	42.0	28.0	86.0	42.0		4.2	0.6
Standard Hard Seat Needle Valves, 10,000 PSI rated	CST 1574	1/2"	A	MxF	CS-ASTM A105	50.0	32.0	86.0	50.0		7.0	1.5