



## BLOCK & BLEED TERMINAL NEEDLE VALVES

CST Needle Valves have established a proven track record for quality, reliability and price performance. Manufactured and tested to very exacting standards at the ISO certified manufacturing facility, these valves are today in use in various industries worldwide.

### TECHNICAL DATA

<b>SIZES:</b>	1/2" & 3/4" X 1/2"
<b>BODY:</b>	Forged single piece CS ASTM A105 Plated or ASTM A182 F 316SS Straight Pattern
<b>END CONNECTIONS</b>	Screwed
<b>STEM:</b>	Close tolerance surface finish, cold rolled threads, ASME SA-479 Type 316SS
<b>NEEDLE TIP:</b>	Hardened & Ground, Self Centering, Non-rotating
<b>GLAND PACKING:</b>	Adjustable, below stem thread design (PBT), prevent process fluid contact with stem threads. PTFE for Temp below 400°F / Graphite for Temp above 400°F
<b>HANDLE:</b>	T <sup>1</sup> bar handle, CS ASTM A108 Plated or ASME SA-479 Type 316SS
<b>WASHER:</b>	ASME SA-479 Type 316SS
<b>PRESSURE/TEMP RATING:</b>	Room Temp / Pressure 10000 PSI 500°F / Pressure 4000 PSI
<b>TEST PRESSURES:</b>	Body: Hydrostatic at 10000 PSI Seat & Gland: 1000 PSI with Nitrogen
<b>DESIGN STANDARD:</b>	CRN APPROVAL

**Contact Us:** **Canada Sensors Technology Inc.**  
10 – 328 Wale Road  
Victoria, BC V9B 0J6  
Canada  
250-588-8085  
sales@canadasensors.com  
[www.canadasensors.com](http://www.canadasensors.com)  
  
Manufacturer of Advanced Technology  
Level and Pressure Transmitters

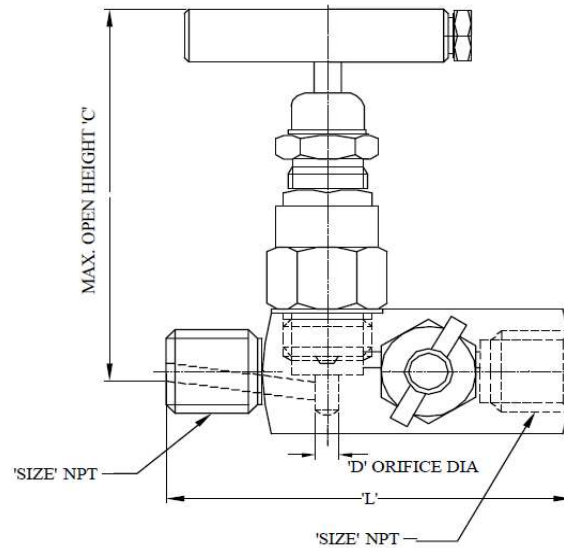
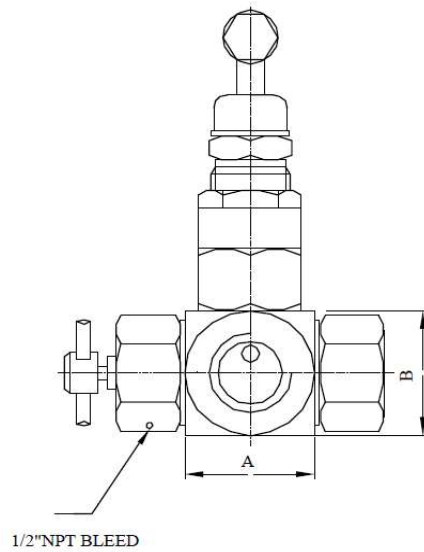
**Drawing References:** DWG\_BB\_TNV\_001

### MISSION STATEMENT

Canada Sensors Technology Inc. strives to build a mutually positive and beneficial relationship with our customers, ensuring their long-term success, through the understanding of their needs and the needs of their customers.

We will listen to our customers and constantly improve our technologies as our customers' needs change with time.

Canada Sensors Technology Inc. is committed to providing the highest level of product quality and customer service. Canada Sensors Technology Inc. is ISO 9001:2015 certified.



ALL DIMENSIONS ARE IN MM					
A	B	C	L	D	Cv
32.0	32.0	90.0	95.0	7.0	0.4

	CST PART NO.	SIZE	PATTERN	ENDS	MATL
Block & Bleed Terminal Valves, 10,000 PSI Rated	CST 7534	1/2"	G	MxF	CS-ASTM A105
Block & Bleed Terminal Valves, 10,000 PSI Rated	CST 7536	3/4" X 1/2"	G	MxF	CS-ASTM A105
Block & Bleed Terminal Valves, 10,000 PSI Rated	CST 7538	1" X 1/2"	G	MxF	CS-ASTM A105
Block & Bleed Terminal Valves, 10,000 PSI Rated	CST 8534	1/2"	G	MxF	SS316-ASTM A479
Block & Bleed Terminal Valves, 10,000 PSI Rated	CST 8534-1L	1/2"	G	MxF	SS316-ASTM A479
Block & Bleed Terminal Valves, 10,000 PSI Rated	CST 8534-2L	1/2"	G	MxF	SS316-ASTM A479
Block & Bleed Terminal Valves, 10,000 PSI Rated	CST 8534-3L	1/2"	G	MxF	SS316-ASTM A479
Block & Bleed Terminal Valves, 10,000 PSI Rated	CST 8536	3/4" X 1/2"	G	MxF	SS316-ASTM A479
Block & Bleed Terminal Valves, 10,000 PSI Rated	CST 8536-1L	3/4" X 1/2"	G	MxF	SS316-ASTM A479
Block & Bleed Terminal Valves, 10,000 PSI Rated	CST 8536-2L	3/4" X 1/2"	G	MxF	SS316-ASTM A479
Block & Bleed Terminal Valves, 10,000 PSI Rated	CST 8536-3L	3/4" X 1/2"	G	MxF	SS316-ASTM A479
Block & Bleed Terminal Valves, 10,000 PSI Rated	CST 8538	1" X 1/2"	G	MxF	SS316-ASTM A479
Block & Bleed Terminal Valves, 10,000 PSI Rated	CST 8538-1L	1" X 1/2"	G	MxF	SS316-ASTM A479
Block & Bleed Terminal Valves, 10,000 PSI Rated	CST 8538-2L	1" X 1/2"	G	MxF	SS316-ASTM A479
Block & Bleed Terminal Valves, 10,000 PSI Rated	CST 8538-3L	1" X 1/2"	G	MxF	SS316-ASTM A479

This drawing is the property of Canada Sensors Technology Inc.  
Unauthorized reproduction is prohibited.

DRAWN		CANADA SENSORS TECHNOLOGY INC.		
KH	06/04/2019	TITLE BLOCK & BLEED TERMINAL NEEDLE VALVES		
CHECKED				
QA				
MFG				
APPROVED		SIZE:	DWG NO.:	REV.
R1	06/02/2020		DWG_BB_TNV_001	1
		SCALE:	SHEET 1 OF 1	

ALL DIMENSIONS ARE SUBJECT TO CHANGE WITHOUT ANY PRIOR NOTICE, TO BE USED FOR REFERENCE ONLY