



## BLOCK & BLEED IN-LINE MANIFOLD VALVE CST 9734 - HARD SEAT

CST Block and Bleed In-line Manifold Valves have established a proven track record for quality, reliability and price performance. Manufactured and tested to very exacting standards at the ISO certified manufacturing facility, these valves are today in use in various industries worldwide.

### TECHNICAL DATA

<b>SIZES:</b>	1/2" X 1/2" NPT
<b>BODY:</b>	Forged single piece ASTM A479 316SS Globe Pattern
<b>END CONNECTIONS</b>	1/2" NPT(M) x 1/2" NPT(F)
<b>STEM:</b>	Rolled threads, ASME SA-479 316SS
<b>NEEDLE TIP:</b>	Self Centering, Non-rotating, Conical type in ASME SA-479 316SS
<b>GLAND PACKING:</b>	Packing Below Thread (PBT) design to ensure no solid enters thread area that can cause galling, and prevents from process contamination. PTFE for Temp 65 to 200°F / Option - Graphite for Temp 65 to 400°F
<b>HANDLE:</b>	T <sup>1</sup> bar handle with grooves for low operating torque in ASME SA-479 316SS
<b>WASHER:</b>	ASME SA-479 316SS
<b>PRESSURE/TEMP RATING:</b>	10,000 PSI @ 200°F 8,000 PSI @ 450°F
<b>TEST PRESSURES:</b>	100% Factory leak tested
<b>DESIGN STANDARD:</b>	CRN APPROVAL

**Contact Us:** **Canada Sensors Technology Inc.**  
10 – 328 Wale Road  
Victoria, BC V9B 0J6  
Canada  
250-588-8085  
sales@canadasensors.com  
[www.canadasensors.com](http://www.canadasensors.com)  
  
Manufacturer of Advanced Technology  
Level and Pressure Transmitters

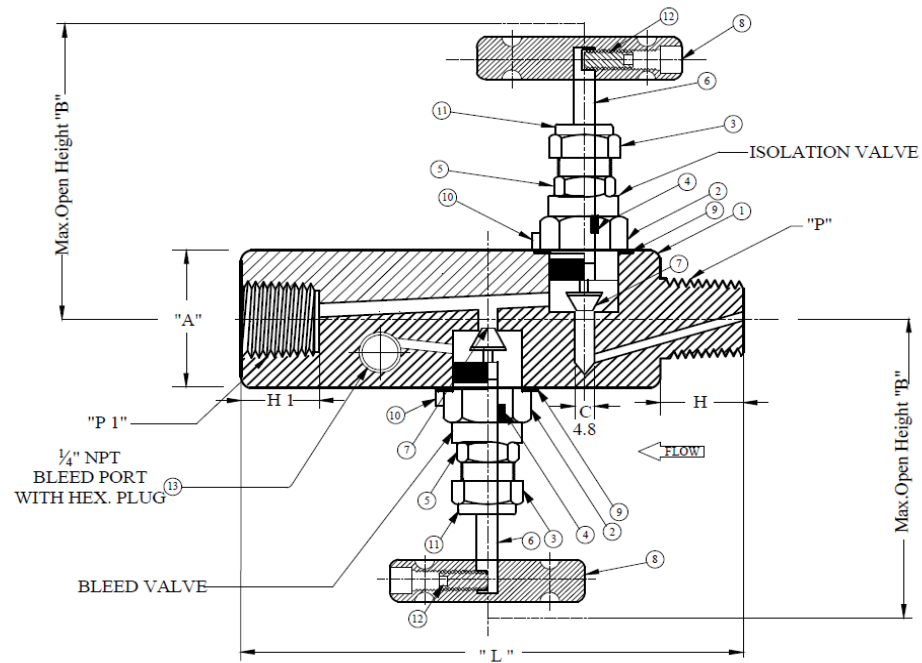
**Drawing References:** DWG\_BB\_HS\_9734\_001

### MISSION STATEMENT

Canada Sensors Technology Inc. strives to build a mutually positive and beneficial relationship with our customers, ensuring their long-term success, through the understanding of their needs and the needs of their customers.

We will listen to our customers and constantly improve our technologies as our customers' needs change with time.

Canada Sensors Technology Inc. is committed to providing the highest level of product quality and customer service. Canada Sensors Technology Inc. is ISO 9001:2015 certified.



ITEM	DESCRIPTION	QTY	MATERIAL
1	BODY	1	ASTM A479 316SS
2	GLAND BODY	2	ASTM A479 316SS
3	GLAND RETAINER	2	ASTM A479 316SS
4	GLAND SEAL	2	PTFE/GRAPHOIL
5	LOCK NUT	2	ASTM A479 316SS
6	SPINDLE	2	ASTM A479 316SS
7	TIP	2	ASTM A479 316SS
8	HANDLE	2	ASTM A479 316SS
9	WASHER	2	STAINLESS STEEL
10	LOCK PIN	2	STAINLESS STEEL
11	DUST CAP	2	DELRIN
12	SET SCREW	2	STAINLESS STEEL
13	1/4" NPT BLEED PORT WITH HEX PLUG	1	ASTM A479 316SS

Dimensions in mm unless stated otherwise

This drawing is the property of Canada Sensors Technology Inc.  
Unauthorized reproduction is prohibited.

ALL DIMENSIONS ARE SUBJECT TO CHANGE WITHOUT ANY PRIOR NOTICE, TO BE USED FOR REFERENCE ONLY

A	B	C	L	H	H1	CV
30.0 SQ	75.0	4.8	114.5	19.1	19.8	0.4

Part No.:	CST 9734
Size:	1/2" X 1/2" M x F
Pressure Rating:	10,000 PSI
Temperature Rating:	200°F

DRAWN		CANADA SENSORS TECHNOLOGY INC.			
KH	01/01/2020	TITLE			
CHECKED		BLOCK & BLEED IN_LINE MANIFOLD VALVE - CST 9734 HARD			
QA		SEAT			
MFG					
APPROVED		SIZE:		DWG NO.:	REV.
				DWG_BB_HS_9734_001	0
		SCALE:		SHEET 1 OF 1	