



## 3 VALVE COPLANAR MANIFOLD

DESCRIPTION: Co-planar design DP transmitters

### TECHNICAL DATA

<b>TYPE:</b>	Flangeless, Integral, C-planar
<b>BODY:</b>	Forged single piece CS, ASTM A105 plated or ASTM A182 F 316SS
<b>STEM:</b>	Close tolerance surface finish, cold rolled threads, ASME SA-479 Type 316SS
<b>NEEDLE TIP:</b>	Self-centering, non-rotating hardened & ground, ASME SA-479 Type 316SS
<b>UPPER/LOWER GLAND BODY:</b>	SS locking pin provided. CS, ASTM A108 plated or ASME SA-479 Type 316SS
<b>GLAND PACKING:</b>	Adjustable, below stem thread design (PBT), prevent process fluid contact with stem threads. PTFE for temperature below 400°F / Graphite for temperature above 400°F.
<b>HANDLE:</b>	'T' Bar handle, CS, ASTM A108 plated or ASME SA-479 Type 316SS
<b>WASHER:</b>	ASME SA-479 Type 316SS
<b>PRESSURE/TEMP RATING:</b>	PRESSURE 1500 PSI / TEMPERATURE 1,000°F PRESSURE 4000 PSI / TEMPERATURE 500°F PRESSURE 6000 PSI / TEMPERATURE 200°F
<b>TEST PRESSURES:</b>	Body : Hydrostatic at 6000 PSI Seat & Gland : 1000 PSI with Nitrogen
<b>OPTIONS:</b>	Material of construction conforming to NACE-MR-01-75 Other materials available for corrosion resistance

**Contact Us:** **Canada Sensors Technology Inc.**  
10 – 328 Wale Road  
Victoria, BC V9B 0J6  
Canada  
250-588-8085  
sales@canadasensors.com  
[www.canadasensors.com](http://www.canadasensors.com)  
Manufacturer of Advanced Technology  
Level and Pressure Transmitters

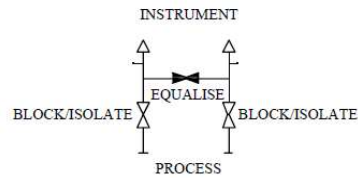
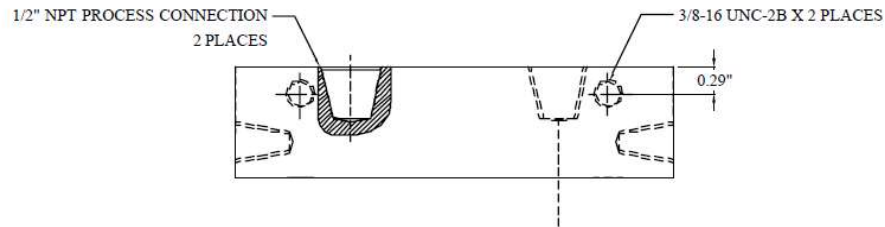
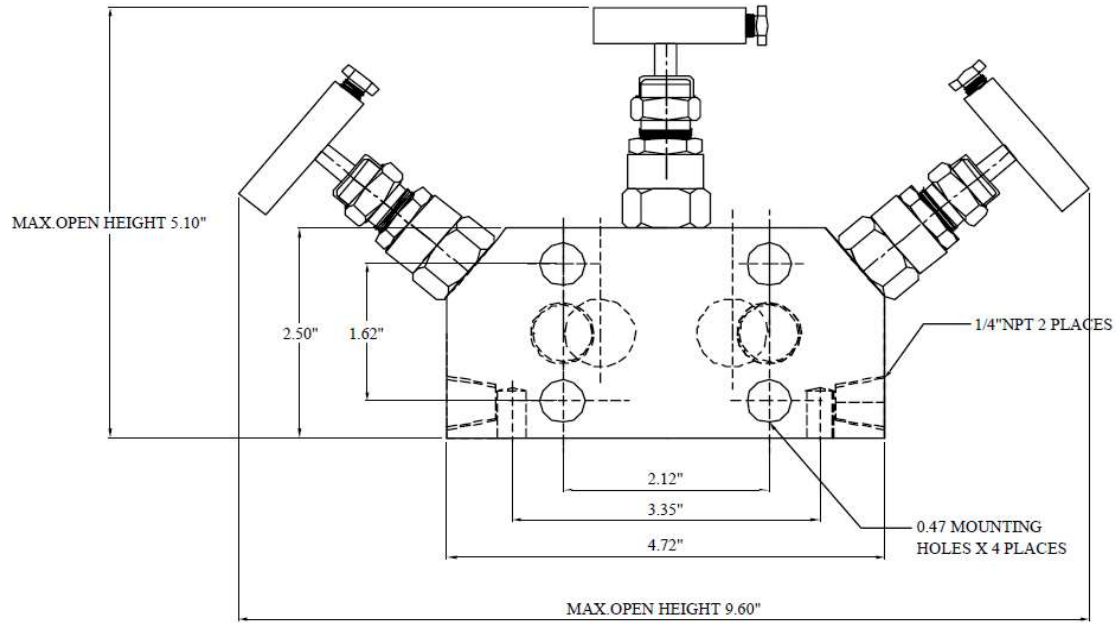
**Drawing Reference:** DWG\_3VM\_COP\_001  
**Part Number Reference:** CST 3VM-COP-001-316  
CST 3VM-COP-001-CS

### MISSION STATEMENT

Canada Sensors Technology Inc. strives to build a mutually positive and beneficial relationship with our customers, ensuring their long-term success, through the understanding of their needs and the needs of their customers.

We will listen to our customers and constantly improve our technologies as our customers' needs change with time.

Canada Sensors Technology Inc. is committed to providing the highest level of product quality and customer service. Canada Sensors Technology Inc. is ISO 9001:2015 certified.



TEMP	CS	SS	ORIFICE DIA. D	Cv
ROOM T	6000 PSI	6000 PSI	0.156"	0.36 MAXIMUM
500 DEG F	4000 PSI	4000 PSI		
1000 DEG F	1500 PSI	1500 PSI		

This drawing is the property of Canada Sensors Technology Inc.  
Unauthorized reproduction is prohibited.

DRAWN		CANADA SENSORS TECHNOLOGY INC.			
KH	06/04/2019	3 VALVE COPLANAR MANIFOLD			
CHECKED					
QA					
MFG					
APPROVED		SIZE:		DWG NO.:	REV.
				DWG_3VM_COP_001	0
		SCALE:		SHEET 1 OF 1	

ALL DIMENSIONS ARE SUBJECT TO CHANGE WITHOUT ANY PRIOR NOTICE, TO BE USED FOR REFERENCE ONLY